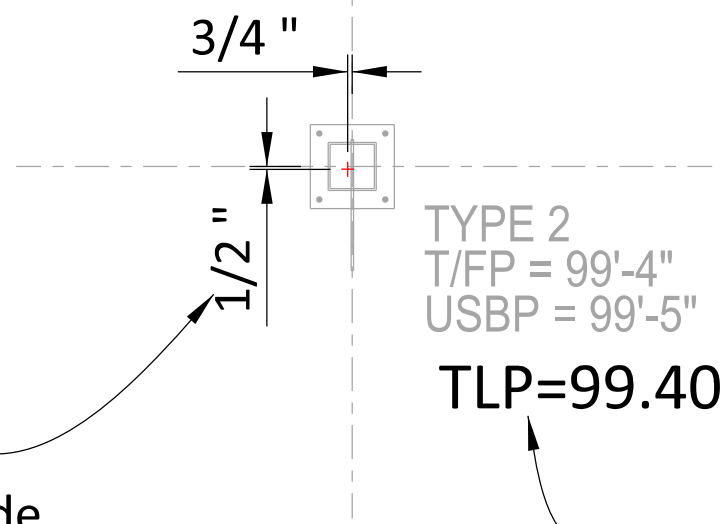


**EXAMPLE:**



Denotes distance from theoretical grid line. Plate holes to be moved this side of grid line.

Denotes the Measured Top of Level Plate Elevation